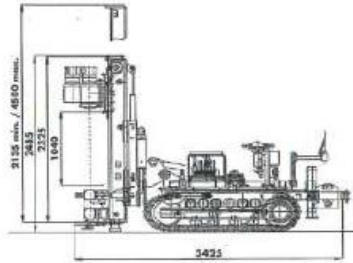
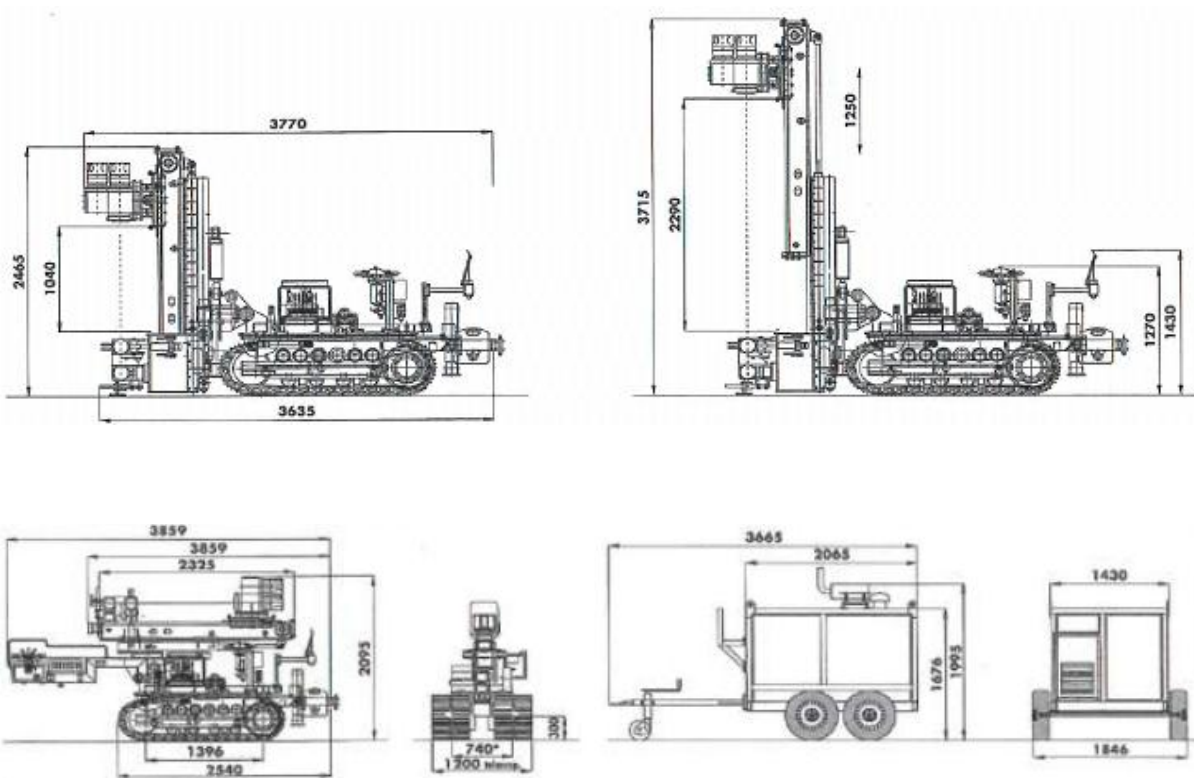


Standard mast



Telescopic mast



*Technical specifications are subject to modifications without prior notice and incurring responsibility for machines previously sold. The shown machines may have optional equipment. Error and misprints reserved.

Weight	6.0t
Access width	900mm
Access height	2600mm
Minimum operating width	1300mm
Typical operating height range	2700mm – 3600mm
Rotary head torque output	20,000 Nm
Max retraction force	60kN
Max crowd force	38kN
Power pack unit type	Remote - diesel 110 Hp
Power pack height/width	H 2410mm / W 1900mm
Power pack weight	Max 2700kg
Max diameter of clamping device	510

Drilling Capabilities

Auger	260mm	320mm	350mm	450mm	600mm
Casing	300mm	345mm	390mm	508mm	660mm
Max drill depth	25m	25m	25m	22m	12m
Max cased depth	-	10m	8m	8m	-

