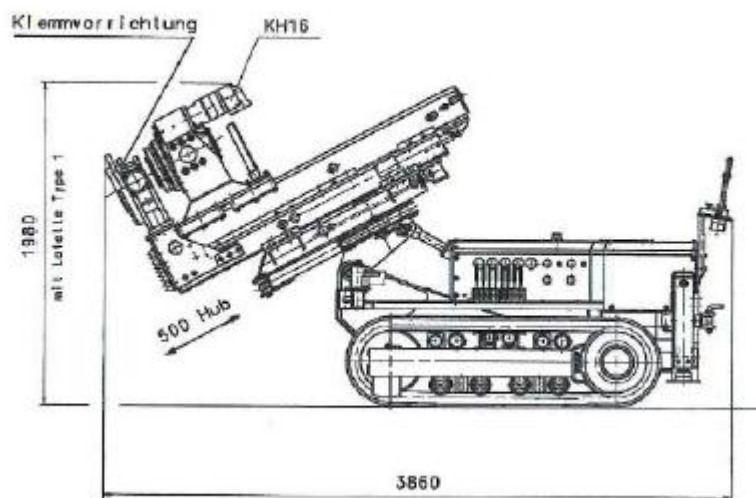
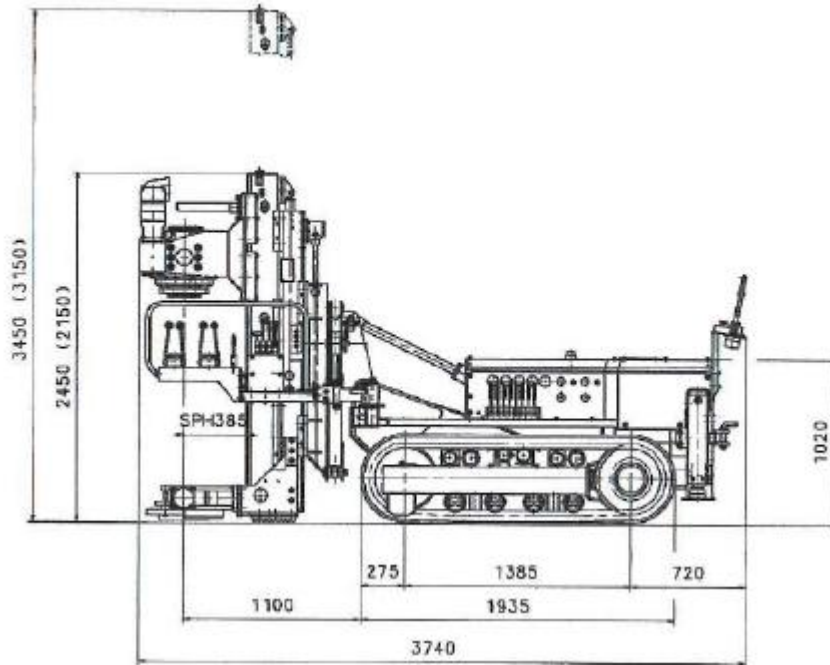
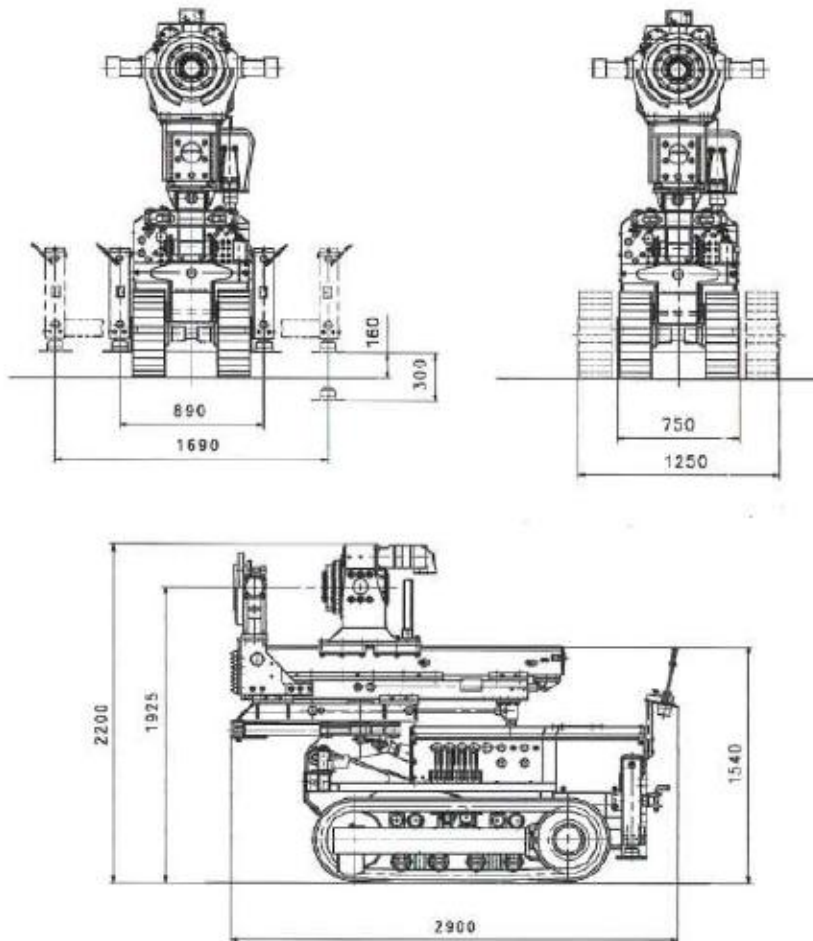


KLEMM 702



*Technical specifications are subject to modifications without prior notice and incurring responsibility for machines previously sold. The shown machines may have optional equipment. Error and misprints reserved.

Transport Dimensions



Weight	4.5t
Access width	800mm
Access height	2200mm
Minimum operating width	1300mm
Typical operating height range	2500mm – 3200mm
Rotary head torque output	16,000 Nm
Max retraction force	60kN
Max crowd force	40kN
Power pack unit type	Remote - diesel 75 Hp
Power pack height/width	H 2200mm / W 1700mm
Power pack weight	Max 2000kg
Max diameter of clamping device	510mm

Drilling Capabilities

Auger	260mm	320mm	350mm	450mm	600mm
Casing	300mm	345mm	390mm	508mm	660mm
Max drill depth	25m	25m	25m	20m	-
Max cased depth	10m	10m	7m	7m	-