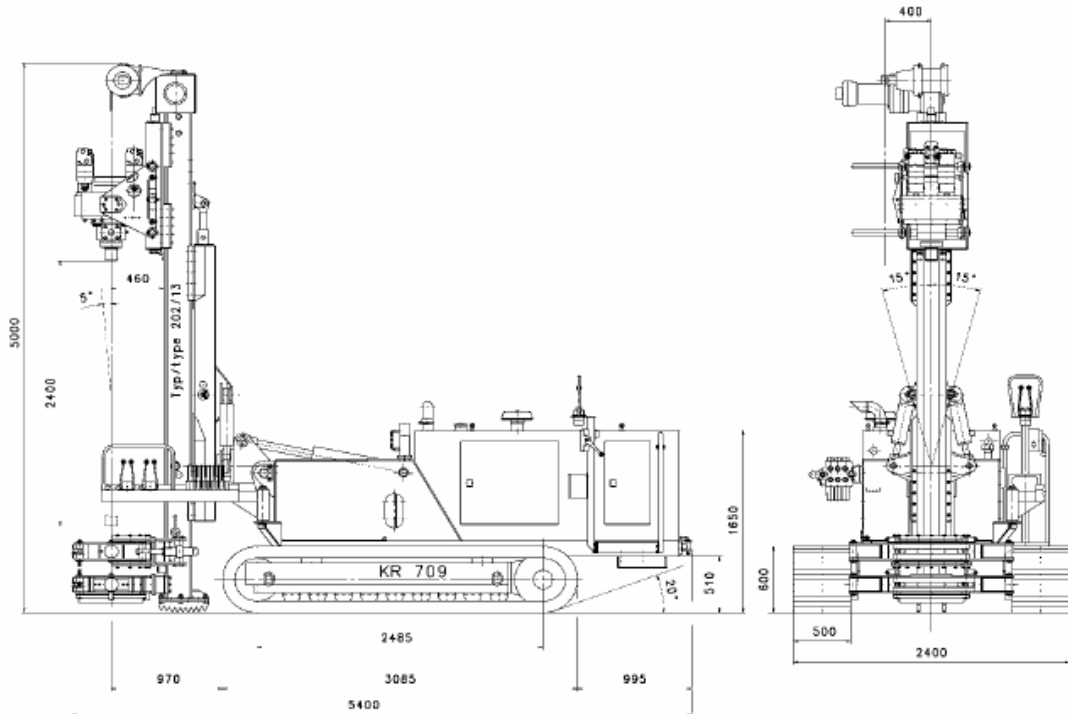


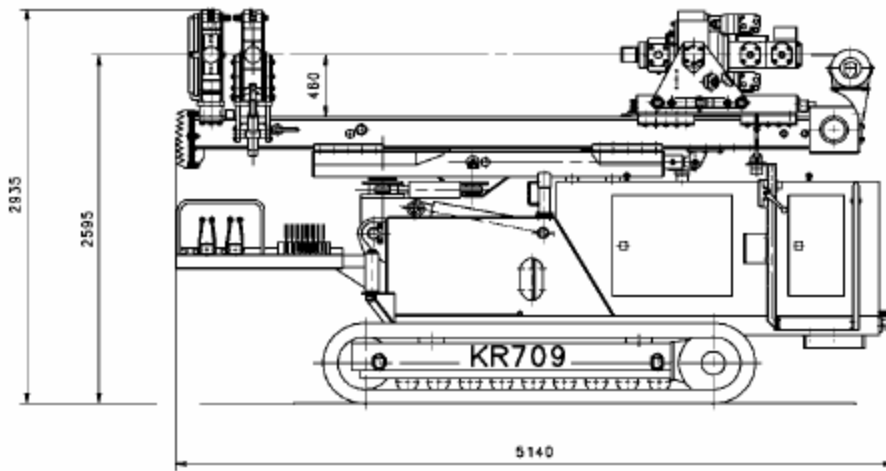
KLEMM709 Dimensions with drill mast type 202 (4400mm)



Weight	12t - 13t
Max power output	114/155 kW/hp - 129,5/176 kW/hp
Max ground bearing pressure	5,2 /cm2 - 4,7 N/cm2
Max torque	30/40 Nm
Travelling speed	2.5km/h
Feed force	130kN
Retraction force (tear-out)	130kN
Feed rate	4,9/10,5 m/min
Retraction rate	4,9/10,5 m/min
FAST feed rate	16,2 / 34,7 m/min
FAST retraction rate	16,2 / 34,7 m/min
Feed length	6000/2400mm

Transport Dimensions with drill mast type 202 (4400mm)

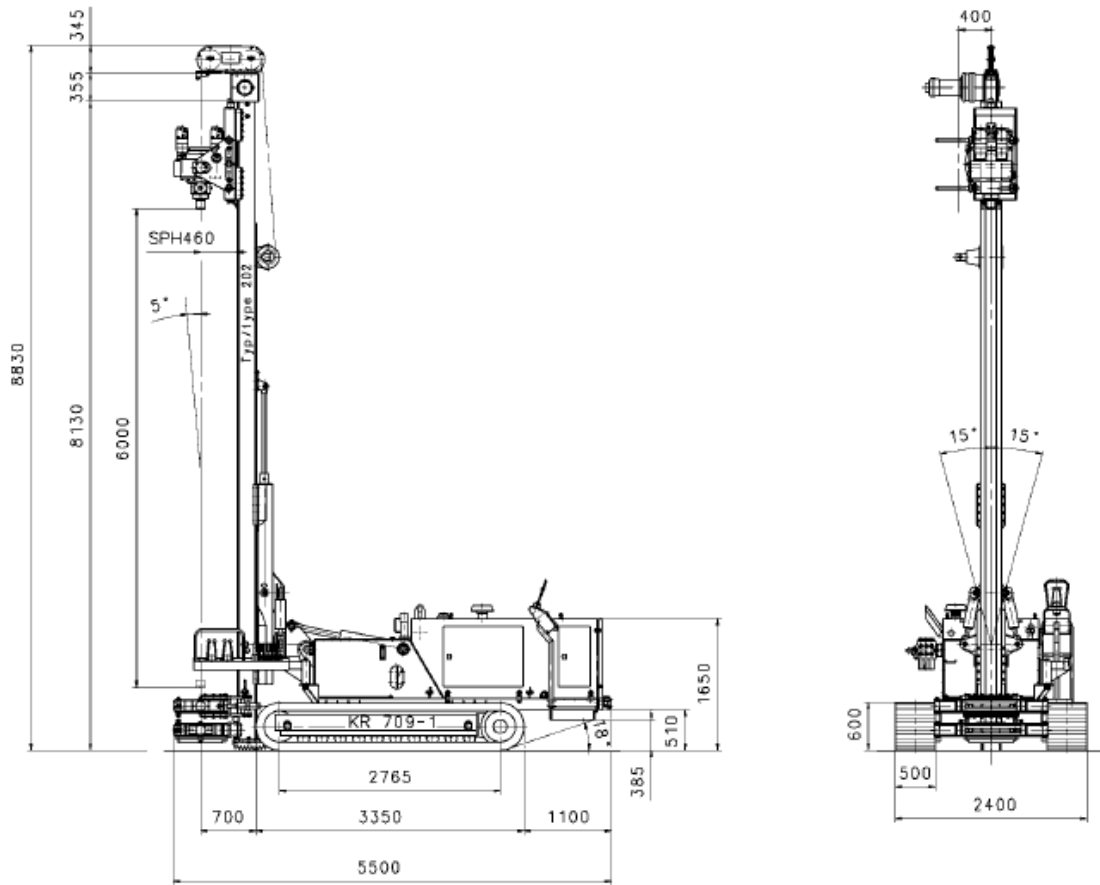
Overall length	5140mm
Overall width	2400mm
Overall height	2935mm
Overall weight	12T



Drilling Capabilities

Auger	260mm	320mm	350mm	450mm	600mm
Casing	300mm	345mm	390mm	508mm	660mm
Max drill depth	-	28mm	28mm	23mm	20mm
Max cased depth	-	12m	10m	10m	6m

KLEMM 709-01 Dimensions with drill mast type 202 (8000mm)



Transport Dimensions with drill mast type 202 (8000mm)

Overall length	8830mm
Overall width	2400mm
Overall height	2935mm

