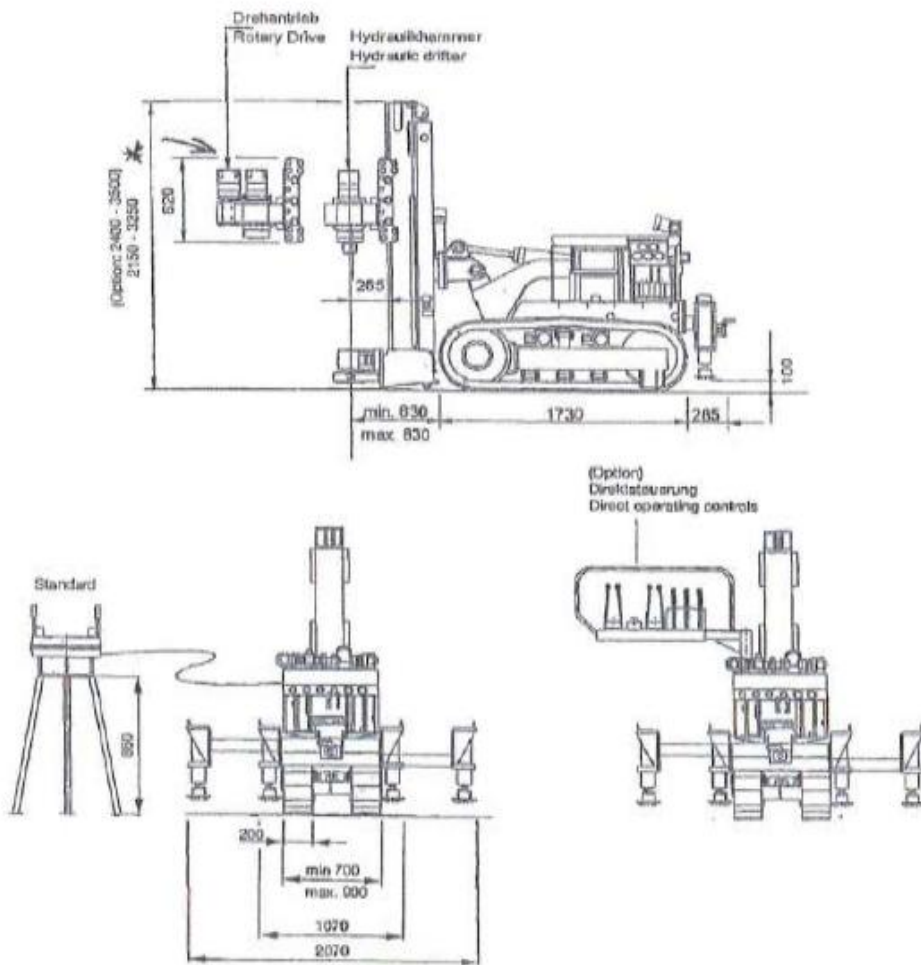


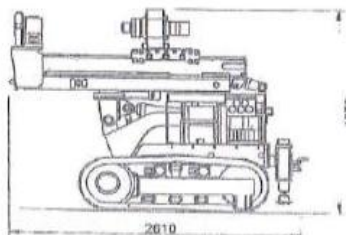
### KLEMM 701



\*Technical specifications are subject to modifications without prior notice and incurring responsibility for machines previously sold. The shown machines may have optional equipment. Error and misprints reserved.

### Transport Dimensions

Overall length	2610mm
Overall width	700mm
Overall height	1970mm
Overall weight	3000kg



Weight	3.5t
Access width	800mm
Access height	2300mm
Minimum operating width	1200mm
Typical operating height range	2500mm – 3000mm
Rotary head torque output	13,500 Nm (3 speed)
Max retraction force	40kN
Max crowd force	26kN
Power pack unit type	Remote - diesel 75 Hp
Power pack height/width	H 2200mm / W 1700mm
Power pack weight	Max 2000kg
Max diameter of clamping device	400mm

### Drilling Capabilities

Auger	260mm	320mm	350mm	450mm	600mm
Casing	300mm	345mm	390mm	508mm	660mm
Max drill depth	25m	25m	23m	12m	-
Max cased depth	10m	10m	8m	5m	-

